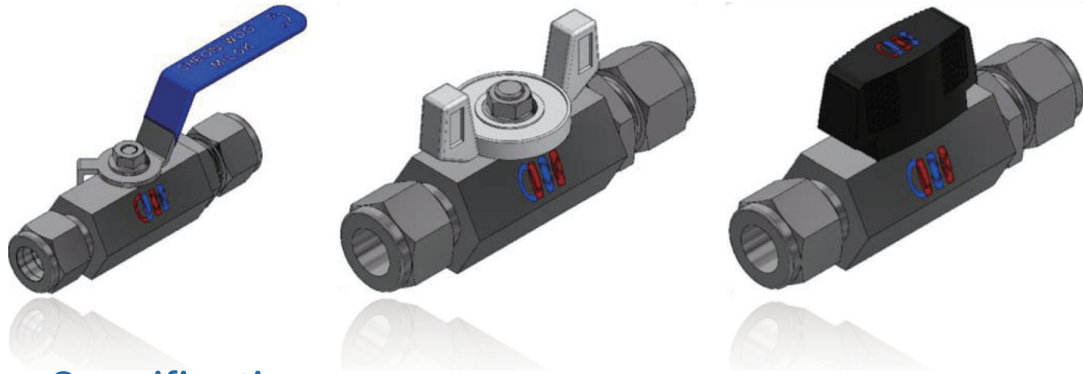


# VB SERIES BALL VALVE



## Design Specification

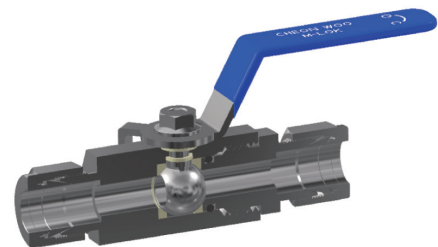
- ▶ Working Pressure : Up to 1,000 psig@100°F (69 bar@38°C)
- ▶ Temperature Range : -22 ~ 450°F (-30 ~ 232°C) with PTFE seat

## Feature

- ▶ Body - Compact design using bar stock materials
- ▶ Stem - Blow-out type stem application
- ▶ Packing - PTFE is standard, Reinforced PTFE available
- ※ When using Reinforced PTFE, the temperature range is -40 ~ 300°F (-40 ~ 150°C).
- ▶ Handle - Choice of Lever, Butterfly and Dielectric handles

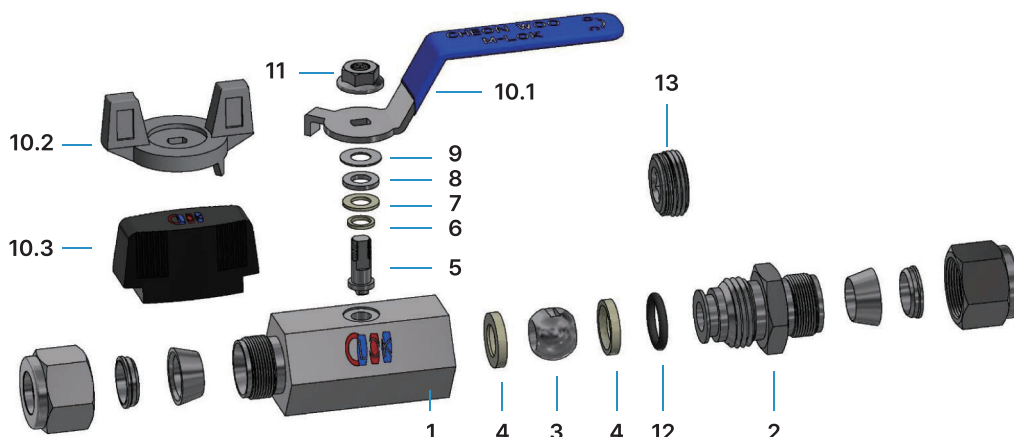
## Materials of Construction

No.	Description	Based on body material, ASTM Std.	
		SS316	Brass
1	Body*	A276 Type316	B16 Brass360
2	End Connector*	A276 Type316	B16 Brass360
3	Ball*	A276 Type316	A276 Type316
4	Seat*	PTFE	PTFE
5	Stem*	A276 Type316	A276 Type316
6	Stem Bearing*	PTFE	PTFE
7	Packing	PTFE	PTFE
8	Gland	A276 Type316	A276 Type316
9	Gland Washer	Stainless Steel	Stainless Steel
10.1	Lever Handle	Stainless Steel	Stainless Steel
10.2	Butterfly Handle	Nickel Plated Zinc	Nickel Plated Zinc
10.3	Dielectric Handle	Nylon	Nylon
11	Stem Nut	Stainless Steel	Stainless Steel
12	O-Ring	Viton	NBR
13	Insert	A276 Type316	B16 Brass360

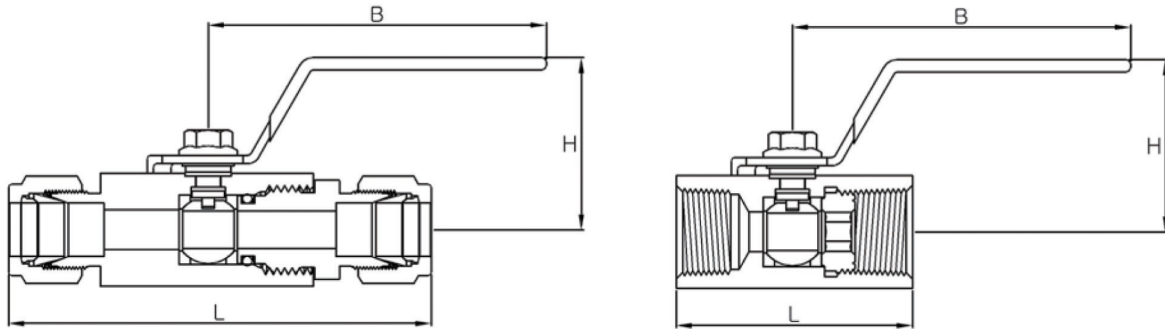


**Note:**

• Wetted part is marked with "\*" in the description list.



# Product Code & Dimensions



Product Code	End Connections	End Connections	Orifice	Cv	Dimension			
					L	B	H	Hex.
VB1	ML4T	M-LOK 1/4"	5.0	1.2	79.5	60.0	31.0	11/16" (17.46)
	ML6M	M-LOK 6mm	5.0	1.2	79.5			
	MF4N	Male/Female NPT 1/4"	5.0	1.2	53.0			
	F4N	Female NPT 1/4"	5.0	1.2	42.0			
VB2	ML6T	M-LOK 3/8"	7.5	2.5	92.0	80.0	38.0	13/16" (20.64)
	ML10M	M-LOK 6mm	7.5	2.5	92.0			
	MF6N	Male/Female NPT 3/8"	7.5	2.5	54.0			
	F6N	Male NPT 3/8"	7.5	2.5	47.0			
VB3	ML8T	M-LOK 1/2"	9.0	9.2	100.0	80.0	40.0	1-1/16" (26.98)
	ML12M	M-LOK 12mm	9.0	9.2	100.0			
	MF8N	Male/Female NPT 1/2"	9.0	9.2	67.0			
	F8N	Female NPT 1/2"	9.0	9.2	56.0			
VB4	ML12T	M-LOK 3/4"	12.5	12.6	107.0	103.0	45.0	1-1/4" (31.75)
	ML16M	M-LOK 16mm	12.5	12.6	107.0			
	MF12N	Male/Female NPT 3/4"	12.5	12.6	76.0			
	F12N	Female NPT 3/4"	12.5	12.6	63.0			
VB5	ML16T	M-LOK 1"	16.0	17.3	133.0	103.0	50.0	1-1/2" (38.1)
	ML25M	M-LOK 25mm		17.3	133.0			
	MF16N	Male NPT 1"	16.0	17.3	85.0			
	F16N	Female NPT 1"	16.0	17.3	78.0			
VB6	F20N	Female NPT 1-1/4"	21.0	-	89.0	150.0	65	50.0
VB7	F24N	Female NPT 1-1/2"	24.0	-	95.0	150.0	70	55.0
VB8	F32N	Female NPT 2"	32.0	-	110.0	160.0	75	70.0

**Note :**

- All dimensions are in millimeters and may be changed for reference only.
- In the case of M-LOK tube fittings, these are dimensions in a finger-tight.
- End connections and sizes not listed in the table above can be made to order.

## Testing & Packing Nut Adjustment

All valves are leak-tested and only passed products are supplied. The test pressure is 600 psig (41 bar) and the test medium is nitrogen. Allowable leak rate is 0.1 std cm<sup>3</sup>/min.

Packing tightening is adjusted to 600 psig pressure. Adjustment of the packing nut is required according to the working pressure.

## Ordering Information

VB3	ML8T	RP	BF	SS
Body Size VB1 VB5 VB2 VB6 VB3 VB7 VB4 VB8	End Connection	Seat Material Nil: PTFE RP: R-PTFE	Handle Nil: Lever BF: Butterfly DH: Dielectric	Body Material SS: SS316 B: Brass