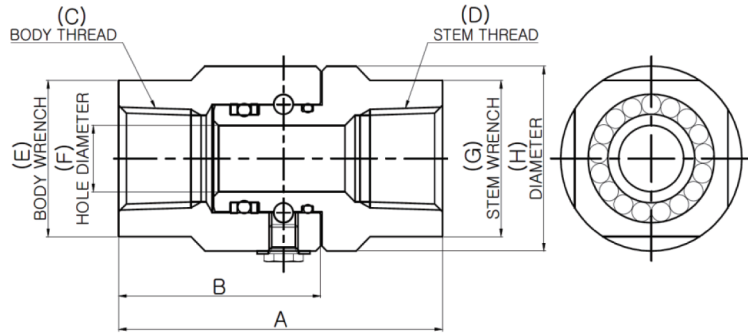


Product Dimensions

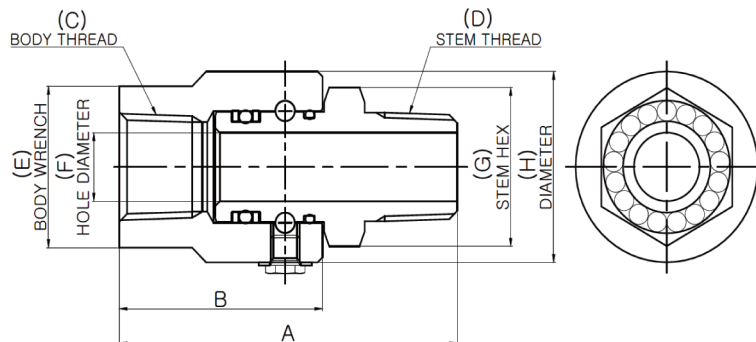
Pipe

**Female Pipe (NPTF)
x
Female Pipe (NPTF)**



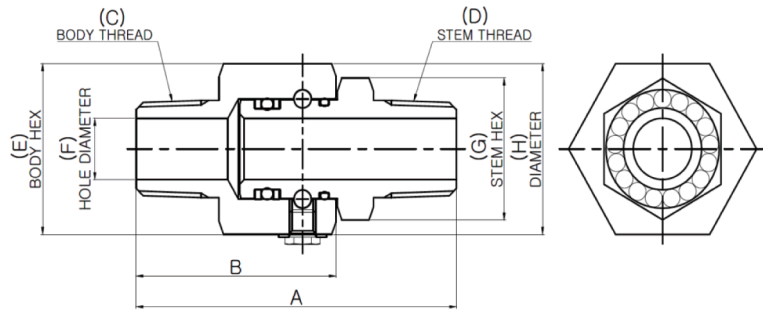
PART NUMBER	A	B	C	D	E	F	G	H	MAX. PSI G
CwM 2 FP 12.5 x FP 12.5	45.3	31.1	1/8-27 NPTF	1/8-27 NPTF	15.9	4.0	15.9	18.6	5,000
CwM 4 FP 25 x FP 25	58.9	43.7	1/4-18 NPTF	1/4-18 NPTF	22.2	6.4	22.2	25.2	5,000
CwM 8 FP 38 x FP 38	57.3	39.7	3/8-18 NPTF	3/8-18 NPTF	28.6	13.5	28.6	32.8	5,000
CwM 8 FP 50 x FP 50	63.0	41.9	1/2-14 NPTF	1/2-14 NPTF	31.8	13.5	31.8	37.6	5,000
CwM 12 FP 75 x FP 75	68.2	47.0	3/4-14 NPTF	3/4-14 NPTF	38.1	17.5	38.1	42.6	4,500
CwM 16 FP 100 x FP 100	81.3	68.2	1-11.5 NPTF	1-11.5 NPTF	44.5	23.0	44.5	48.7	4,000
CwM 20 FP 125 x FP 125	93.5	68.2	1 1/4-11.5 NPTF	1 1/4-11.5 NPTF	54.0	30.0	54.0	59.9	4,000
CwM 24 FP 150 x FP 150	102.9	74.9	1 1/2-11.5 NPTF	1 1/2-11.5 NPTF	60.3	33.3	60.3	64.7	4,000
CwM 32 FP 200 x FP 200	114.8	87.6	2-11.5 NPTF	2-11.5 NPTF	73.0	45.2	73.0	77.5	3,000
CwM 40 FP 250 x FP 250	131.2	96.1	2 1/2-8 NPTF	2 1/2-8 NPTF	85.7	54.0	85.7	90.7	2,500

**Male Pipe (NPTF)
x
Female Pipe (NPTF)**



PART NUMBER	A	B	C	D	E	F	G	H	MAX. PSI G
CwM 2 MP 12.5 x FP 12.5	47.1	31.1	1/8-27 NPTF	1/8-27 NPTF	15.9	4.0	11.1	18.6	5,000
CwM 4 MP 25 x FP 25	62.2	43.7	1/4-18 NPTF	1/4-18 NPTF	22.2	6.4	15.9	25.2	5,000
CwM 8 MP 38 x FP 38	68.1	39.9	3/8-18 NPTF	3/8-18 NPTF	28.6	10.3	25.4	32.8	5,000
CwM 8 MP 50 x FP 50	72.1	41.9	1/2-14 NPTF	1/2-14 NPTF	31.8	13.5	25.4	37.6	5,000
CwM 12 MP 75 x FP 75	78.4	47.0	3/4-14 NPTF	3/4-14 NPTF	38.1	17.5	28.6	42.6	4,500
CwM 16 MP 100 x FP 100	93.4	63.0	1-11.5 NPTF	1-11.5 NPTF	44.5	23.0	34.9	48.7	4,000
CwM 20 MP 125 x FP 125	106.4	68.2	1 1/4-11.5 NPTF	1 1/4-11.5 NPTF	54.0	30.0	44.5	59.9	4,000
CwM 24 MP 150 x FP 150	117.5	74.9	1 1/2-11.5 NPTF	1 1/2-11.5 NPTF	60.3	33.3	50.8	64.7	4,000
CwM 32 MP 200 x FP 200	128.3	87.6	2-11.5 NPTF	2-11.5 NPTF	73.0	45.2	63.5	77.5	3,000

**Male Pipe (NPTF)
x
Male Pipe (NPTF)**



PART NUMBER	A	B	C	D	E	F	G	H	MAX. PSI G
CwM 4 MP 25 x MP 25	60.5	41.9	1/4-18 NPTF	1/4-18 NPTF	25.4	6.4	15.9	HEX	5,000
CwM 4 MP 38 x MP 38	62.5	41.9	3/8-18 NPTF	3/8-18 NPTF	25.4	6.4	25.4	HEX	5,000
CwM 8 MP 38 x MP 38	71.4	43.2	3/8-18 NPTF	3/8-18 NPTF	30.2	10.3	25.4	32.8	5,000
CwM 8 MP 50 x MP 50	74.7	44.5	1/2-14 NPTF	1/2-14 NPTF	34.9	13.5	25.4	37.6	5,000
CwM 12 MP 75 x MP 75	77.2	45.7	3/4-14 NPTF	3/4-14 NPTF	39.6	17.5	28.6	42.6	4,500
CwM 16 MP 100 x MP 100	96.5	60.2	1-11.5 NPTF	1-11.5 NPTF	46.0	23.0	34.9	48.7	4,000
CwM 20 MP 125 x MP 125	103.9	65.5	1 1/4-11.5 NPTF	1 1/4-11.5 NPTF	55.6	30.0	44.5	59.9	4,000
CwM 24 MP 150 x MP 150	121.4	78.9	1 1/2-11.5 NPTF	1 1/2-11.5 NPTF	60.3	33.3	50.8	65.0	4,000
CwM 32 MP 200 x MP 200	132.7	92.1	2-11.5 NPTF	2-11.5 NPTF	73.0	45.2	63.5	77.6	4,000